

Rocker Column Load Cell



DESCRIPTION

The 116 is a high capacity single column load cell, designed around a nickel plated, alloy steel element. It is environmentally sealed and the use of redundant o-rings and high grade potting material provide excellent ingress protection.

The 116 is suitable for all heavy weighing applications and provides the user an excellent overall value.

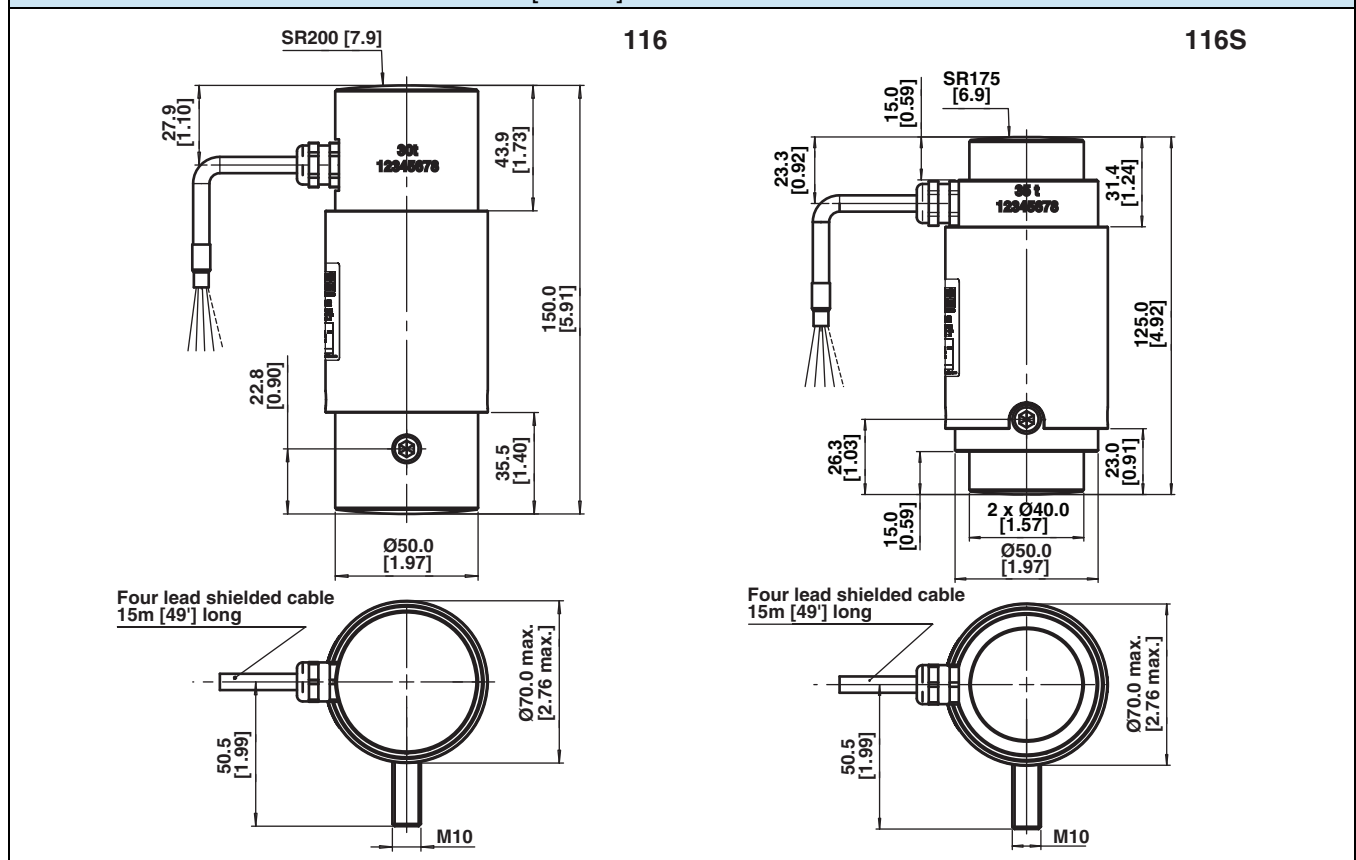
FEATURES

- Capacities: 30, 35 and 40t
- Self restoring rocker column
- High performance compact design
- Environmentally sealed, IP66/IP68 - 5bar
- Certificate - OIML R60 (NTEP 10,000dIII Pending)
- Current calibration output ensures easy and accurate parallel connection of multiple load cells
- Anti-rotation pin

APPLICATIONS

- Weighbridges
- Silo and hopper weighing
- Process weighing

OUTLINE DIMENSIONS in millimeters [inches]



SPECIFICATIONS					
PARAMETER	VALUE				UNIT
Accuracy class designation	Non Approved	NTEP IIIIL	OIML C3	OIML C3MR	
VTH Accuracy class	E	I3	G5	G3	
Minimum utilization	NA	33	50	30	% of R.C.
Maximum no. of intervals (n)	NA	10000 Mult	3000		
Rated capacity-R.C. (E_{max})	Standard:	30, 40			t
	Short:	35			
Rated output-R.O.	2.0				mV/V
Rated output tolerance	0.02				±mV/V
Zero balance	0.02				±mV/V
Creep, 30 min.	0.074	0.050	0.025		±% of load
Zero return, 30 min.	0.050	0.015	0.017		±% of load
Total error	0.060	0.03	0.020		±% of R.O.
Temperature effect on output	0.0023	0.0012	0.0012		±% of load/°C
Temperature effect on zero	0.0046	0.0014	0.0023	0.0014	±% of R.O./°C
$Y = E_{max}/V_{min}$	NA	30000	6000	10000	
Temperature range, compensated	-10 to +40				°C
Temperature range, safe	-30 to +70				°C
Temperature range, storage	-40 to +90				°C
Maximum safe static overload	150				% of R.C.
Ultimate static overload	300				% of R.C.
Excitation, recommended	10				Vdc or Vac rms
Excitation, range	5 to 20				Vdc or Vac rms
Input impedance	1160±60				Ω
Output impedance	1000±10				Ω
Insulation resistance	>2000				MΩ
Cable length	15				m
Cable type	4 conductors, AWG 24, PU jacket				
Color code	+Exc: Green, +Sig: White -Exc: Black, -Sig: Red Shield: Bare, twisted braid				
Construction	Coated alloy steel, coated aluminum housing, environmental potting, quadruple o-ring seal				
Environmental protection	IP66/IP68 - 5bar				

Disclaimer

All product specifications and data are subject to change without notice.

Vishay Precision Group, Inc., its affiliates, agents, and employees, and all persons acting on its or their behalf (collectively, "Vishay Precision Group"), disclaim any and all liability for any errors, inaccuracies or incompleteness contained herein or in any other disclosure relating to any product.

Vishay Precision Group disclaims any and all liability arising out of the use or application of any product described herein or of any information provided herein to the maximum extent permitted by law. The product specifications do not expand or otherwise modify Vishay Precision Group's terms and conditions of purchase, including but not limited to the warranty expressed therein, which apply to these products.

No license, express or implied, by estoppel or otherwise, to any intellectual property rights is granted by this document or by any conduct of Vishay Precision Group.

The products shown herein are not designed for use in medical, life-saving, or life-sustaining applications unless otherwise expressly indicated. Customers using or selling Vishay Precision Group products not expressly indicated for use in such applications do so entirely at their own risk and agree to fully indemnify Vishay Precision Group for any damages arising or resulting from such use or sale. Please contact authorized Vishay Precision Group personnel to obtain written terms and conditions regarding products designed for such applications.

Product names and markings noted herein may be trademarks of their respective owners.